



**PT ARDEN MITRA PERSADA**  
**Supplier And Contractor Engineering**



**> CATALOG  
PRODUCT**



Kedung Halang Sugih RT 02 RW 02  
Kel. Sukaresmi Kec. Tanah Sareal  
Kota Bogor



[ampersada89@gmail.com](mailto:ampersada89@gmail.com)



+62 813 1609 3189



## **Table of contents**

- 1. Expansion Joint Fabric**
- 3. Expansion Joint Rubber**
- 6. Expansion Joint Metal**
- 8. PTFE Lining**
- 11. Flexible Hose**
- 13. Thermal Jacket**
- 14. Flange**
- 15. Gasket**
- 20. Insulation**
- 21. Valve**
- 22. Fitting and Pipe**



# EXPANSION JOINT FABRIC

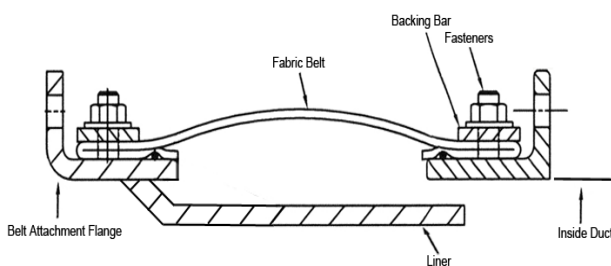
PRODUCT CATALOG

## EXPANSION JOINT FABRIC

Expansion joints are flexible pipelines and channel joints used in industrial installations. When ventilation system or air conditioner system works, it generate noise and vibrations, they transmit through air ducts, affect the operation of system. To eliminate the noise and vibrations, it is necessary to install an expansion joints at the connect place of equipment and ducts. It ensure an appropriate compensation of thermal and mechanical dilatations of the fumes channels, hot air pipelines and other media. Ampersada provide variety of high temperature textiles not contain any asbestos and can withstand high temperature up to 1000°C, oil resistance, high strength.

Fabric Expansion Joint can be designed with belt type flange type and telescopic bellows type. Fabric expansion Joint can make single or multilayer, depend on customer request. Fabric Expansion Joint is available in both rectangular and round with large size

### Type Belt

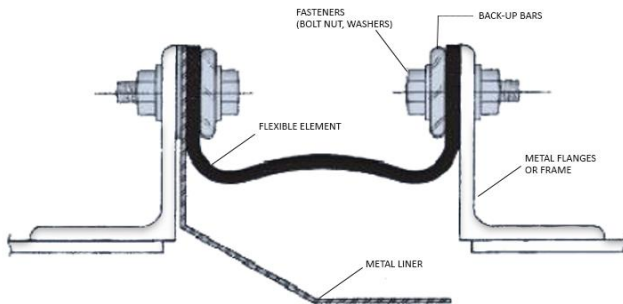


The fabric belt is attached to the frame using a clamping system. The clamping system has the distinct advantage of sealing belt material in a line two to places across the frame flange.

# EXPANSION JOINT FABRIC

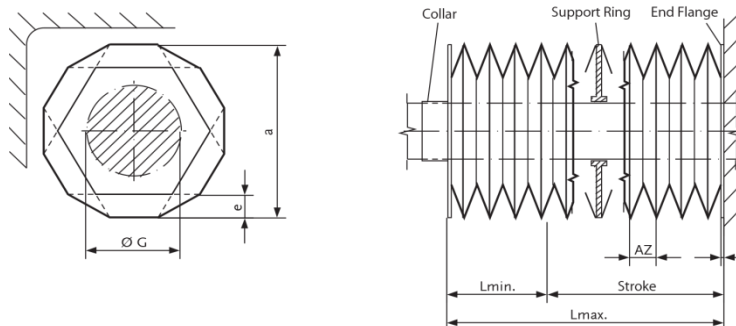
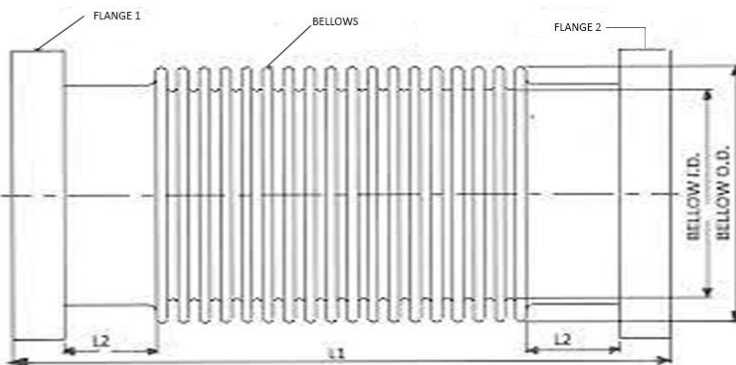
PRODUCT CATALOG

## Type Flange



Same as belt type, layer of Expansion Joint fitted directly to flange of ducting. Used pillow are base on service

## Telescopic Bellows



**Bellow Cover.** Massively used in oil and gas industries, these lightweight bellow covers are known for their supreme temperature and corrosion resistance. Designed using cutting-edge technology, these covers are used for a valve or down-hole tool applications.

## EXPANSION JOINT RUBBER

Rubber expansion joints provide a wide range of rubber support with a reinforcement that depends on the pressure required. These types of expansion joints isolate noise and vibration. When it comes to damage caused by vibration and movement, each rubber expansion joint protects piping systems by avoiding such hazards.

### Single Sphere Type

Protects the pump from changes in temperature and pressure, and reduces noise and vibration. Connection/flex connector. we handle up to 225 PSI and -20 degrees C to 100 degrees C, vacuum ratings up to 650mm/Hg!



Constructed from elastomeric materials such as EPDM, NBR and Neoprene, SBR to your specifications, the spherical shape allows pressure to exert itself uniformly in all directions, reducing the forces exerted on pipelines and equipment. Provides strength, high safety factor, and low power to move. Precision molding produces a dense and uniform carcass.

## Wide Arch Type

This type of wide arch rubber expansion joint has higher pressure ratings and stronger corrosion resistance than normal expansion joints. When the rubber joint is larger in diameter and the pressure is greater, you can choose to use Wide Arch Rubber Expansion.



Constructed from elastomeric materials such as EPDM, NBR and Neoprene, SBR to your specifications, the spherical shape allows pressure to exert itself uniformly in all directions, reducing the forces exerted on pipelines and equipment. Provides strength, high safety factor, and low power to move. Precision molding produces a dense and uniform carcass.

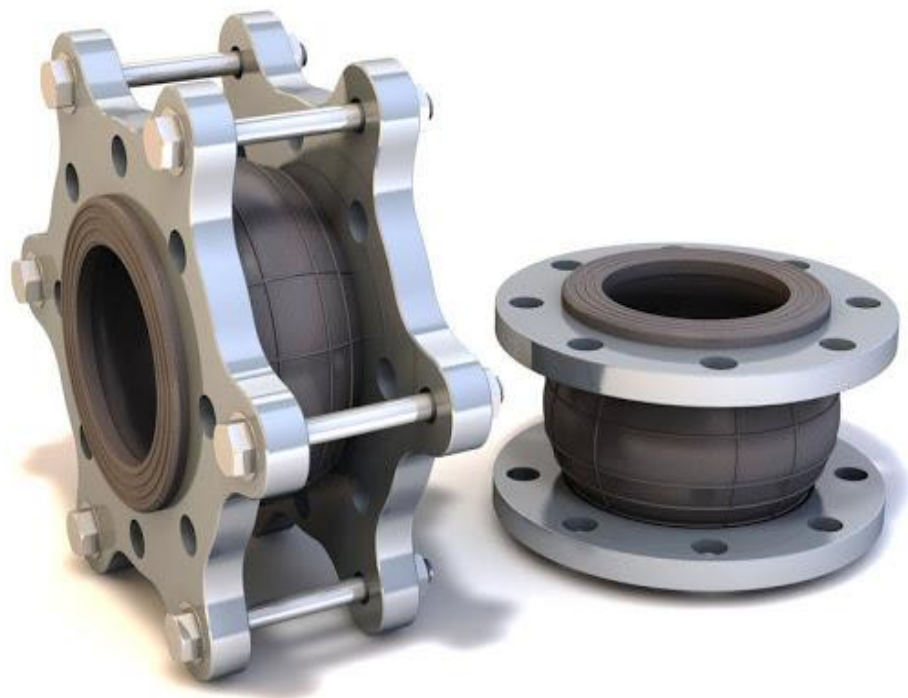
## Clamp Type

Clamp rubber joints can be customized to any length, any caliber, any thickness. The clamp rubber joint saves flanges and bolts, saves engineering costs, and eliminates the need for flange at the nozzle, simplifying work efficiency.



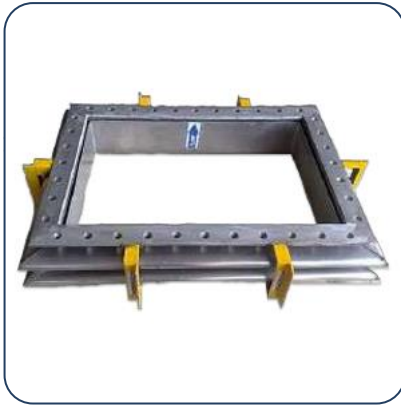
## Floating Flange Type

The most advantageous advantage is that if replacement is required, it can be replaced without disturbing the welded flange due to the floating/rotating flange design.



# EXPANSION JOINT METAL

PRODUCT CATALOG



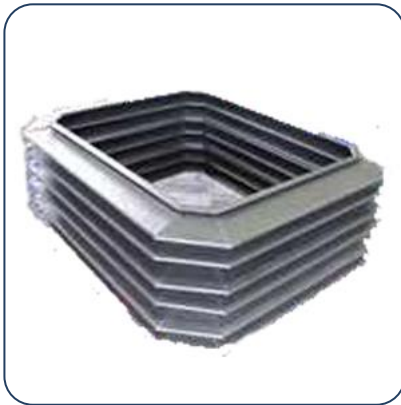
**CAMERA CORNER**



**CLAMP SHELL BELLOWS**



**DOUBLE HINGED BELLOWS**



**DOUBLE MITER CORNER**



**DOUBLE TIE RODS**



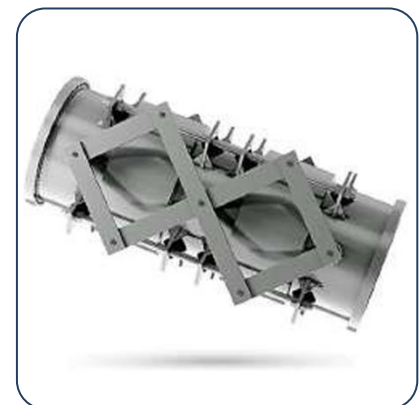
**GIMBAL BELLOWS**



**HINGED BELLOWS**



**OVAL BELLOWS**



**PANTOGRAPHIC LINKAGE**

# EXPANSION JOINT METAL

PRODUCT CATALOG



CAMERA CORNER



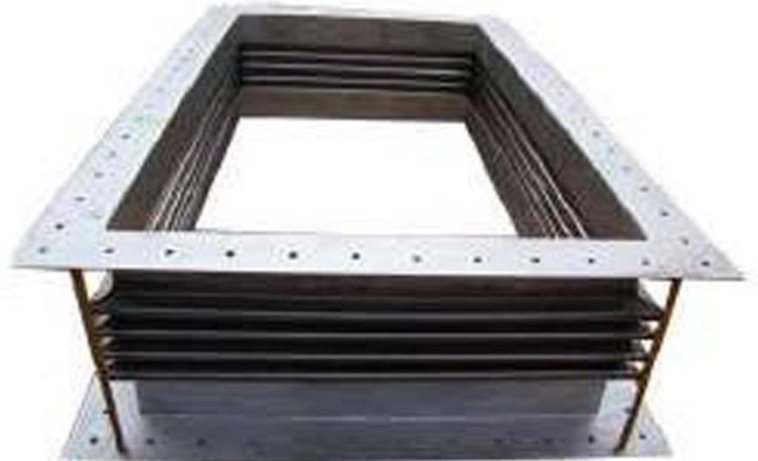
SINGLE HINGED  
BELLOWS



CLAMP SHELL  
BELLOWS

## SINGLE MITER CORNER

The most common of all the rectangular expansion joint options. The convolutions are butt welded together at each corner. These products allow for axial, lateral and angular deflections in your ducting systems. AMPERSADA can build any number of unique sizes and shapes to meet your specific needs and in various in-stock stainless steel, high nickel and Corten alloys.



Our 6000kW laser ensures that your end connections are cut precisely to fit up perfectly in the field. Flow liners can be installed to reduce back pressure, as can tie rods or limit rods to control movement. Give us a call to help you with your next square or rectangular expansion joint project!

# PTFE LINING

PRODUCT CATALOG

## PTFE Lining

PTFE Lining is designed and manufactured based on the advanced technology of coating process. We provide a wide range of products such as Pipe Lining, Tank Lining, Hose Lining, Bellow Lining, Valve Lining, etc.

Our products are safe for use in fertilizer plants, chemical plants, power plants, pulp and paper mills, food and beverage factories, and more.



PTFE lined pipes, lined piping, PTFE fitting, Polytetrafluoroethylene Lined Pipe, PTFE dip pipe, PTFE / Seamless linings



EQUAL CROSS TEE



FLANGE



HEADER

# PTFE LINING

## PRODUCT CATALOG



HOSE



INSTRUMENT TEE



RUBBER BELLOWS



BELLOWS



BLIND FLANGE



CONCENTRIC REDUCER



ECCENTRIC REDUCER



ELBOW 45



ELBOW 90

# PTFE LINING

PRODUCT CATALOG

## PTFE Lining for Heat exchanger shells



PTFE coating protects the Graphite or stainless steel heat exchanger shell from corrosion, We supply seamless shells with paste extrusion up to 1250 NB (50") and 2000 NB (80") in active development, We have provided these shells and the industry can use the same for better HE yield and lifespan,

## PO Lined Tank

Features of polyethylene storage tank: Polyethylene foreign language referred to as PO. The highest application temperatures are 60 for low density polyethylene and 70 for high density polyethylene. The minimum application temperature is -70°C. It has the advantages of no welding seam, no leakage, no toxicity, anti-aging, impact resistance, corrosion resistance, long service life, and meets health standards.



It makes up for the shortcomings of poor rigidity, pressure resistance and temperature difference of all plastic rotomolded storage tanks. The surface of the product coating is flat, smooth and strong. Compared with the traditional armored plastic plate storage tank, steel plated rubber storage tank and armored FRP storage tank, this product has better corrosion resistance, no leakage, no peeling and wear resistance. Damage, can withstand a certain pressure, can withstand higher temperatures, longer life and other advantages, the price is lower than traditional storage tanks of the same specifications, is an ideal container for storing corrosive liquids. Therefore, it is a highly corrosion-resistant storage tank.

# FLEXIBLE HOSE

PRODUCT CATALOG

## Flexible Hose Metal



Stainless flexible metal hose assembly mainly consists of corrugated pipe , stainless braided out of hose and joint on both ends.

Material: 321,304,316,316L

Temperature range : -200°C up to +500°C



**APPLICATIONS:** It is used in pipe line as soft joint to compensate the movement, absorb vibration and easy piping etc. It has features of anti-corrosion.

METAL HOSE										
DN	Hose. I.D		O.D		MIN B.R		MAX PRESSURE BAR		WEIGHT	
	inch	mm	TUBE	1 WIRE	STATIC	DYNAMIC	1 WIRE	2 WIRE	TUBE	1 WIRE
6	1/4"	6.3	9.0	10.5	35	150	64	100	0.06	0.15
8	5/16"	7.9	10.9	12.5	45	160	64	100	0.08	0.18
10	3/8"	9.5	15.2	16.8	50	180	50	80	0.13	0.28
13	1/2"	12.7	18.5	20.0	64	240	40	64	0.17	0.35
16	5/8"	15.9	21.5	23.0	80	300	35	50	0.20	0.40
19	3/4"	19.0	25.6	27.2	95	340	30	45	0.24	0.50
25	1"	25.4	32.6	37.2	100	400	25	40	0.38	0.75
32	1.1/4"	31.8	40.6	42.2	130	480	25	40	0.48	0.96
38	1.1/2"	38.1	47.6	50.2	200	600	25	40	0.50	1.00
51	2"	50.8	61.5	63.5	240	780	25	40	0.88	1.75

# FLEXIBLE HOSE

PRODUCT CATALOG

## Flexible Hose Rubber



This hose pipe is used with dredgers for material conveyance, pipe wall thickness range: 3mm to 50mm. Suitable working temperature: -20°C to +50°C. Abrasion resistant and bending easy to install, flexible to use and safe.

### RUBBER HOSE

I.D		O.D		Working Pressure		Burst Pressure		Vacuum Pressure		Lenght
mm	inch	mm	inch	Mpa	bar	Mpa	bar	Kpa	bar	m
152	6"	182	7-1/4"	1.2	12	2.4	24	80	0.8	10
203	8"	233	9-1/5"	1.2	12	2.4	24	80	0.8	10
254	10"	284	11-1/5"	1	10	2	20	80	0.8	10
304	12"	340	13-2/5"	1	10	2	20	80	0.8	6-10
350	14"	390	15-2/5"	1	10	2	20	80	0.8	6-10
450	18"	486	19-1/5"	0.7	7	1.5	15	80	0.8	6-10
550	22"	590	23-3/5"	0.7	7	1.5	15	80	0.8	6-10
600	24"	640	25-3/5"	0.7	7	1.5	15	80	0.8	6-10
700	28"	750	29-3/5"	0.7	7	1.5	15	80	0.8	6-10
800	32"	850	33-1/2"	0.5	5	1	10	80	0.8	6-10
1000	40"	1050	41-1/2"	0.5	5	1	10	80	0.8	6
1200	48"	1250	49-1/5"	0.5	5	1	10	80	0.8	6
1300	52"	1350	53-1/5"	0.5	5	1	10	80	0.8	6

## Thermal Jacketing



Energy Saving Insulation Jackets have a wide range of Industrial and commercial applications, such as energy conservation, personnel protection and heat protection. Each Energy Saving Insulation Jacket is a specially designed flexible blanket. They can be used to insulate steam turbines and just about anything you can imagine. Energy Saving Insulation Jackets are made from only the finest materials. Heavy density needle fiberglass is used as the insulating material for most enclosures, but other materials can be used to meet your specifications.

polymer coated fiberglass fabric is commonly used for the inner lining and outer weather barrier; but because each protective insulating jacket is specially designed, they can be made to your specific requirements. For applications where the temperature exceeds 1200 celsius, Fiberglass cloth or 304 stainless steel mesh can be used as the inner layer. If oily conditions are a concern, a protective insulation jacket can wrap the insulation in an aluminum jacket before installing the inner or outer layers to prevent the insulation from absorbing oil. This insulating jacket has many built-in features to ensure a snug and easy fit. A 2" wide Hook & Loop Closure Strip is applied across the lap instead of 1", to ensure the lap stays in place. A polypropylene belt with a "D" ring is used to quickly close and secure the cover. Flaps with straps are used to help seal in weather where the cover fits into conventional insulation. Bindings are used to strengthen all exposed seams. The insulating jacket is sewn to provide strength and a pleasing appearance. At high tension points, double and triple stitches are used for reinforcement. For high temperature applications, "hog ring" staples are used.



## FLANGE

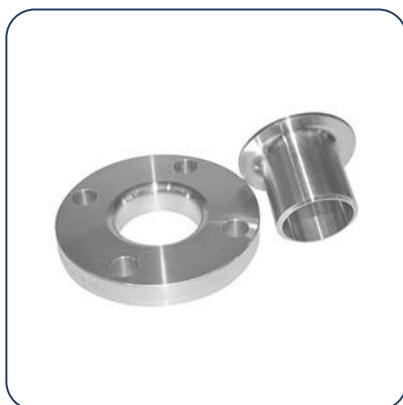
Flange or other names forging (for self-reinforcing types), can be of several types when viewed from the class.



Namely flange class 150 #, 300 #, 600 #, 900 #, 1500 #, 2500 # even up to 5000 #. This type of flange is divided because the flange works in different pressures according to the class.



**BLIND FLANGE**



**LAP JOINT FLANGE**



**SW FLANGE**



**SLIP ON FLANGE**



**SPADE AND SPACER**



**WN FLANGE**

## SPIRAL WOUND GASKET



Spiral Wound Gasket which is commonly used as sealing on pipe joints. The size of the Spiral Wound Gasket was designed to refer to the ASME B16.5, BS1560, ASME Series A (MSS-SP44) Flange design standards, ASME B16.47 Series B (API605), BS EN 1092 (BS (4504) , DIN and also JIS Design Pressure Spiral Wound Gasket 125 PSI – 2500 PSI.

We provide spiral wound gaskets with materials:

Outer ring and inner ring: 304, 304L, 316 , 316L, 316Ti, 310, 317L, 321, 347,410, 430, 904L, Super Duplex S32750/32205, Nickel 200, Monel 400, Hastelloy C276, Protective C22...

Filling material: Graphite, tetrafluoroethylene...

Standards: ASME B 16.20, ASME B 16.5, ASME B 16.47 A(B), BS EN1092

## GASKET

- Spiral Wound Gasket
- Ring Gasket
- Rubber Sheet Gasket
- PTFE (Teflon Sheet Gasket)
- Graphite Sheet Gasket
- Compressed Non Asbestos
- Double Jacket Gasket
- Insulation Kit Gasket
- Sheet Gasket
  - Klinger
  - Valqua
- Joint Sealant PTFE
- Solid Metal Gasket
- Seal Tape PTFE



Double Jacket Gasket



PTFE/ Teflon Gasket



## Rubber Gasket

Material : EPDM Rubber, NBR Rubber, Butyl 60 Rubber, Neoprene Rubber, Abrasion Resistant/ Wear Rubber (NR), FKM 70 Rubber

## Ring Gasket

Ring Joint Gaskets are suitable for high pressure and high temperature applications. Combined Gaskets are available in R, RX, BX styles and in oval/octagonal profiles.



### Materials

Standard: Soft iron, low carbon steel, alloy steels F5 and 410; stainless steels 304, 304L, 316, 316L, 321 and 347.

## Insulation Kit Gasket

The Flange Insulation Gasket set is the most widely used form of controlling losses due to corrosion.



Flange Insulation Gasket sets can be used to control stray electric currents in piping at oil, gas, water, refinery, and chemical plants to increase the effectiveness of cathodic protection systems and confine or eliminate electrolytic corrosion.

# GASKET

PRODUCT CATALOG



## Klinger Sheet

Klingsil C-4430 is a high performance grade gasket material of versatile gasket fiber widely used in industrial and sealing applications. This compressed non-asbestos fiber gasket exhibits excellent retention for long lasting seal performance.

Klingsil C-4430 is available in a wide selection of thicknesses ranging from 0.5mm to 3mm and sheets measuring 1500mm x 2000mm, the gasket sheet is made of a combination of synthetic fibers and glass bonded with an NBR (nitrile-butadiene rubber) binder. This is then finished with a non-stick coating. The result is a versatile gasket sheet with excellent chemical resistance, temperature tolerance and pressure resistance.

Usage Guide:

Max. Temperature: 440 c

Max. Pressure: 100 bar

## Non-Asbestos Fiber SheetValQuA

Suitable to be used as Non-asbestos gaskets for pipe flanges and equipment in various industries. The adaptability of these sheets as water apparatus according to JIS S 3200-7 has been confirmed.



Pipe flanges, valve bonnets and other equipment used in various industries including oil refineries, chemical industries and shipyards

## Joint Sealant PTFE



Multi-purpose pipe sealing tape manufactured from 100% expanded PTFE fluorocarbon material, supplied as a continuous low density tape with a self-adhesive backing strip. Soft and spongy, easily conforms to all surface irregularities and able to compress to a thin ribbon under pressure.

Best teflon tape for plumbing. Quickly seal faucets and pipes with PTFE thread tape made from Fluorocarbon material, also called ePTFE sealing tape. FDA approved, can be used in food and drug applications. Has Excellent thermal and chemical resistance. Equivalent to Tedit 24B and Gore-Tex sealant tape. Form in place gasket sealant for general purpose applications. Suitable for pipe flange, concrete lids, manways, glass joints, ceramic joints, heat exchangers, water systems, hydraulic and pneumatic systems, fiberglass reinforced plastic vessels, pump or compressor housing flanges.

## Solid Metal Gasket

Solid metal gasket are used in application where temperature and pressure rule out the use of traditional gasket materials. These gasket can be of unlimited size and shape. And the metal used for gasket should be softer than the metal in the mating surfaces. Solid metal gaskets are often used in combination with soft facing such as expanded graphite (Plain or Crinkle Tape) or Expanded PTFE. The soft sealing facing is chosen with regards to media and temperature.



This type of gasket is economical for a low-pressure seal on smooth flanges with low bolt pressure. Advantages are low cost, lightweight and greater resilience than a comparable flat solid gasket. Temperature applications are based upon the metal selected.



## Seal Tape PTFE

PTFE (Polytetrafluoroethylene) is generally known to the public by the brand name Teflon® (DuPont™) and is quite commonly referred to as plumber's tape. PTFE is compatible with a wide range of materials due to a low coefficient of friction and is very non-reactive.

### Features

- Chemically inert and withstands solvents.
- Provides tight assembly and easy disassembly.
- Flame resistant.
- No curing time required.

## Gland Packing

**Precision Webbing** With a special high quality synthetic fiber impregnated with PTFE Emulsion which contains a special wash-resistant lubricant and blocking agent. Has high corrosion resistance, tensile strength, good flexibility, high resistance to wear, soft texture and easy to cut.



Widely used in power plants, chemical plants, steel plants, and other industries of ash pump, slurry pump, feed pump, water booster pump and other large water pumps.

# INSULATION

PRODUCT CATALOG

## Bulky Glass Tape/ Cloth

Bulky glass tape/ cloth, Glass woven roving is a two-way fabric carried by direct roving in a plain weave pattern. Compatible with unsaturated polyester, vinylresin, epoxy resin. Application: hand lay-up, winding and compress molding process, suitable for manufacturing tanks, boats. Product characteristics : Consistent thickness and excellent surface treatment.

Heat Resistance: 600 c Tensile strength (kg/50 mm)  
shrinkage in percentage: 800 c x 0.5 hour: 5%



Bulky Glass Tape



Bulky Glass Cloth

## Rockwool

Rockwool is a board made of basalt, an inorganic raw material. It is produced by heating basalt at 1350 C - 1400 C and converting into fibers that are bonded together using a thermosetting resin. Light weight and easy to install, mainly used for thermal and acoustic insulation where high compressive strength is required such as over-deck, sandwich panel flooring, and partition walls. Thickness: 30-200mm  
Density: 40-200kg/m<sup>3</sup>



## Ceramic Blanket

Ceramic Fiber Blankets consist of a durable, flexible, interwoven fiber produced by a "blown" and "spun" process resulting in a strong, lightweight and durable blanket for application in a temperature range of 538 °C (1000 °F) to 1,480 °C (2700 °C). F). Ceramic Fiber Blanket has heat resistance than hard refractories with five times better insulation value.



## Valve

Valve or commonly called a valve is a device that regulates, directs or controls the flow of a liquid (gas, liquid, fluidized solid) by opening, closing, or partially closing the flow path.



We provide various kinds and types of valves such as: Ball Valve, Check Valve, Relieve valve, Vinch valve, butterfly valve, etc.



# PIPE & FITTING

PRODUCT CATALOG



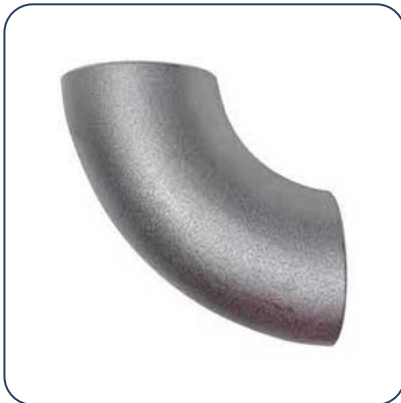
**45 BEND 3D**



**45 EL LR**



**90 BEND 3D**



**90 EL LR**



**90 SR EL**



**180 ELBOW RETURN LR**



**180 ELBOW RETURN SR**



**BOSS**



**BULL PLUG**

# PIPE & FITTING

PRODUCT CATALOG



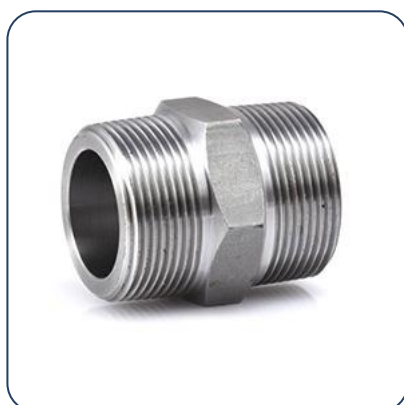
**CAP**



**CON RED**



**COUPLING**



**DOUBLE HEX NIPPLE**



**ECC RED**



**ECC SWAGE**



**ELBOLET**



**HALF COUPLING**



**HEX PLUG**

# PIPE & FITTING

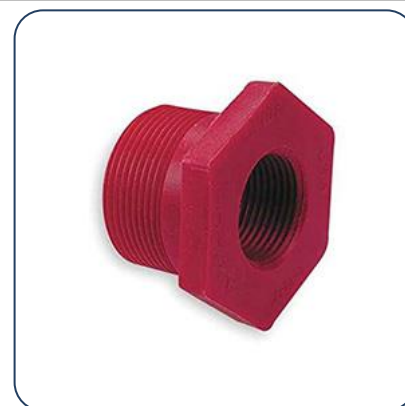
PRODUCT CATALOG



**LATROLET**



**NIPOLET**



**RED BUSHING**



**RED COUPLING**



**ROUND PLUG**



**SOCKOLET**



**SQUARE PLUG**



**STUB END**



**TEE BARRED**

# PIPE & FITTING

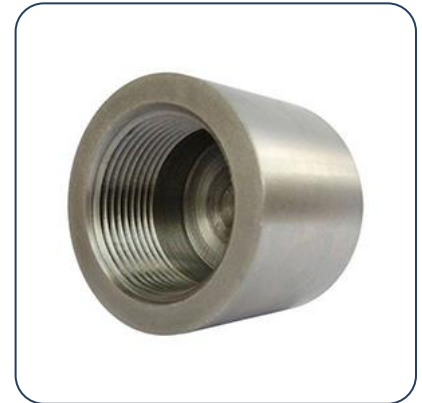
PRODUCT CATALOG



**TEE RED**



**TEE STRAIGHT**



**THREADOLET**



**UNION**



**WELDOLET**

## Pipe

We provide pipes of various types and sizes with the following materials:

CS SA/A106/A53/API-5L-B #N/A SS 304/L SS 316/L SS 317/L SS 321/H API-5L X52 A53/API5L-B (welded / ERW) A333-6 & A333-6/API5L-X52 A671-CC60 CL.22 W/S2 A335 P11 A335 P22 SA-790 S.31803 / 32205 B423-N08825 API5L-X60 API5L-X65



*supplier | distributor | trader | stockis*

**PT ARDEN MITRA .**

Kedung Halang Sugih RT 02 RW 02 Kel. Sukaresmi Kec. Tanah Sareal Bogor.

Tlp : +62 813 1609 3189, Email : [ampersada89@gmail.com](mailto:ampersada89@gmail.com)

# DISCHARGE HOSE

PRODUCT CATALOG

## Oil Suction/ Discharge Hose

Nitrile fuel suction hose is widely used in Automotive & Industrial applications requiring chemical resistance. Recommended for transfer of aromatic or non aromatic hydrocarbon fluids. Typical applications include fuel and lubricant transfer, gas transmission lines, gasoline and petrochemical pipes. It has good general industrial properties



### Construction

- Tube : Black, smooth, Nitrile rubber
- Reinforcement : Multi plies high strength synthetic fabric and steel wire helix skeleton
- Cover : Black, smooth (wrapped finish) high grade chloroprene rubber, compounded for an excellent resistance to weather, ozone, abrasion and oil



- Temperature** : -40°C (-40°F) to +100°F(+212°F)
- Application** : For suction and discharge of petroleum-based products, diesel, gasoline, lubricants, fuel, with aromatic content up to 50%.
- Characteristic** : Weather and abrasion resistant cover Both smooth and corrugated cover available  
Flexible and full vacuum For aromatic content up to 50%.



- Size** : 3/4 Inch – 12 Inch
- Coils** : Up to 60mt continuous length
- Branding** : Red transfer tape with negative text
- Reinforcement** : High Strength synthetic cord plus helix wire and antistatic copper wire